

# WORM GEAR BOX



Precise universal gearbox, large ratios possible, worm made of case-hardened steel and polished surface for a minimized coefficient of friction. Also available with ball bearing on request.

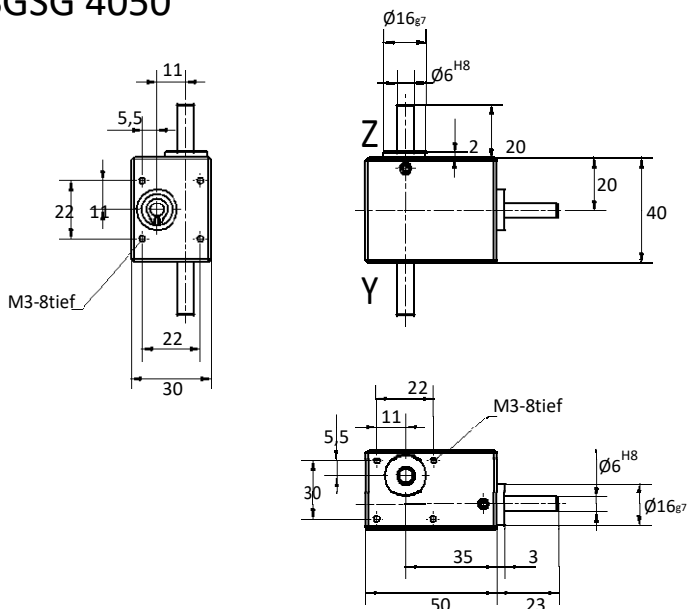
## WORM GEARBOX SGSG 4050

Sintered bronze plain bearings,  
available in three reduction ratios

technical data		SGSG 4050
max. torque	Ncm	80
material housing		aluminium anodised
material bearings		sintered bronze
material shafts		stainless steel
material worm*		steel case hardened
material worm wheel		bronze
weight	g	190

on request also available with ball bearings  
worm (right-hand teeth)  
the gearbox is self-locking

### SGSG 4050



i	Output Shaft	Order. No.
7,5:1	Z + Y	SGSG 4050 T0/75
7,5:1	Y	SGSG 4050 Y0/75
7,5:1	Z	SGSG 4050 Z0/75

i	Output Shaft	Order. No.
10:1	Z + Y	SGSG 4050 T0/10
10:1	Y	SGSG 4050 Y0/10
10:1	Z	SGSG 4050 Z0/10

i	Output Shaft	Order. No.
20:1	Z + Y	SGSG 4050 T0/20
20:1	Y	SGSG 4050 Y0/20
20:1	Z	SGSG 4050 Z0/20